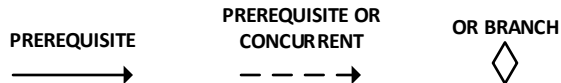
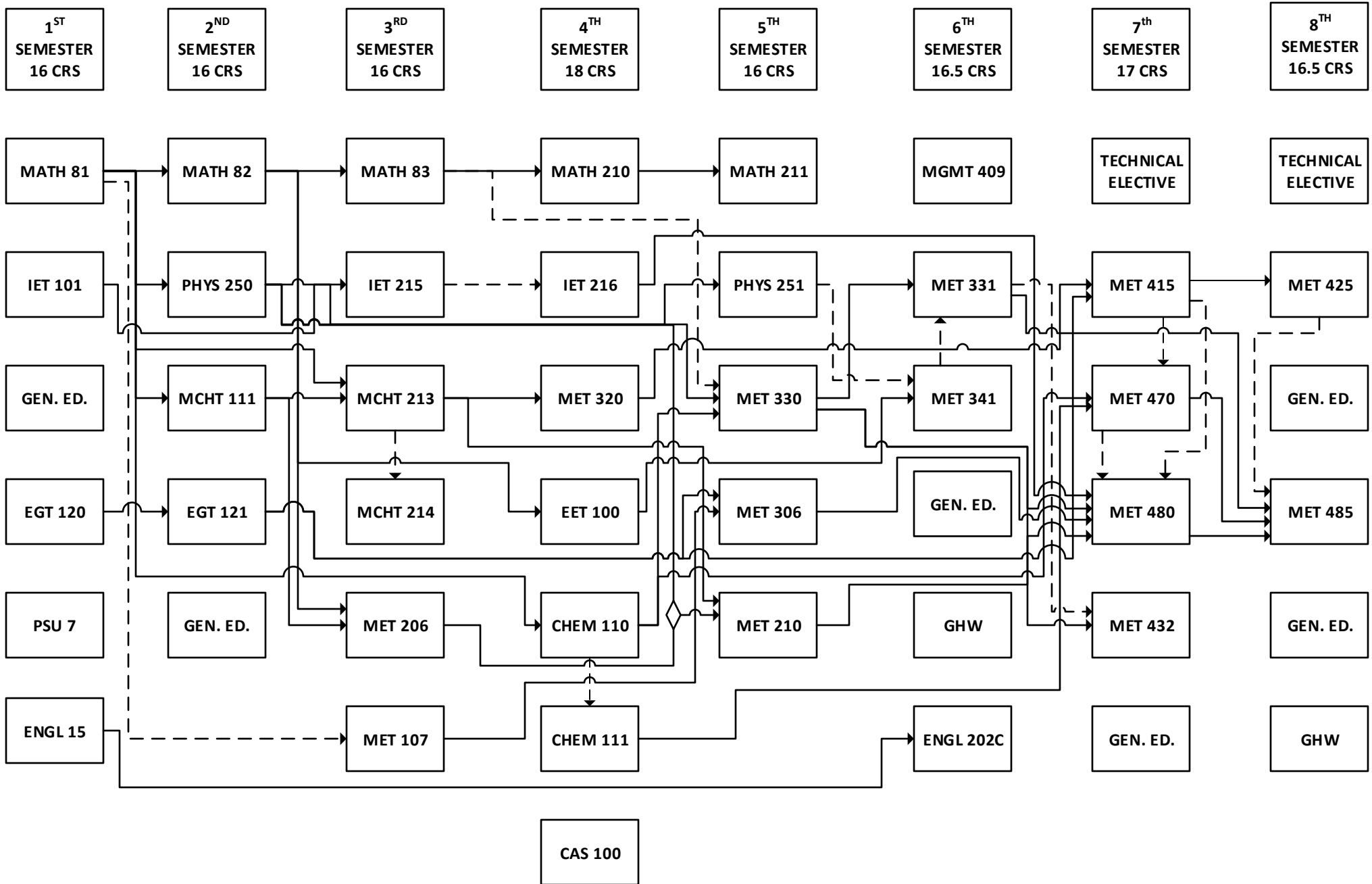


MECHANICAL ENGINEERING TECHNOLOGY (B.S)

PLAN B



The first four semesters are the same for Plan A and Plan B