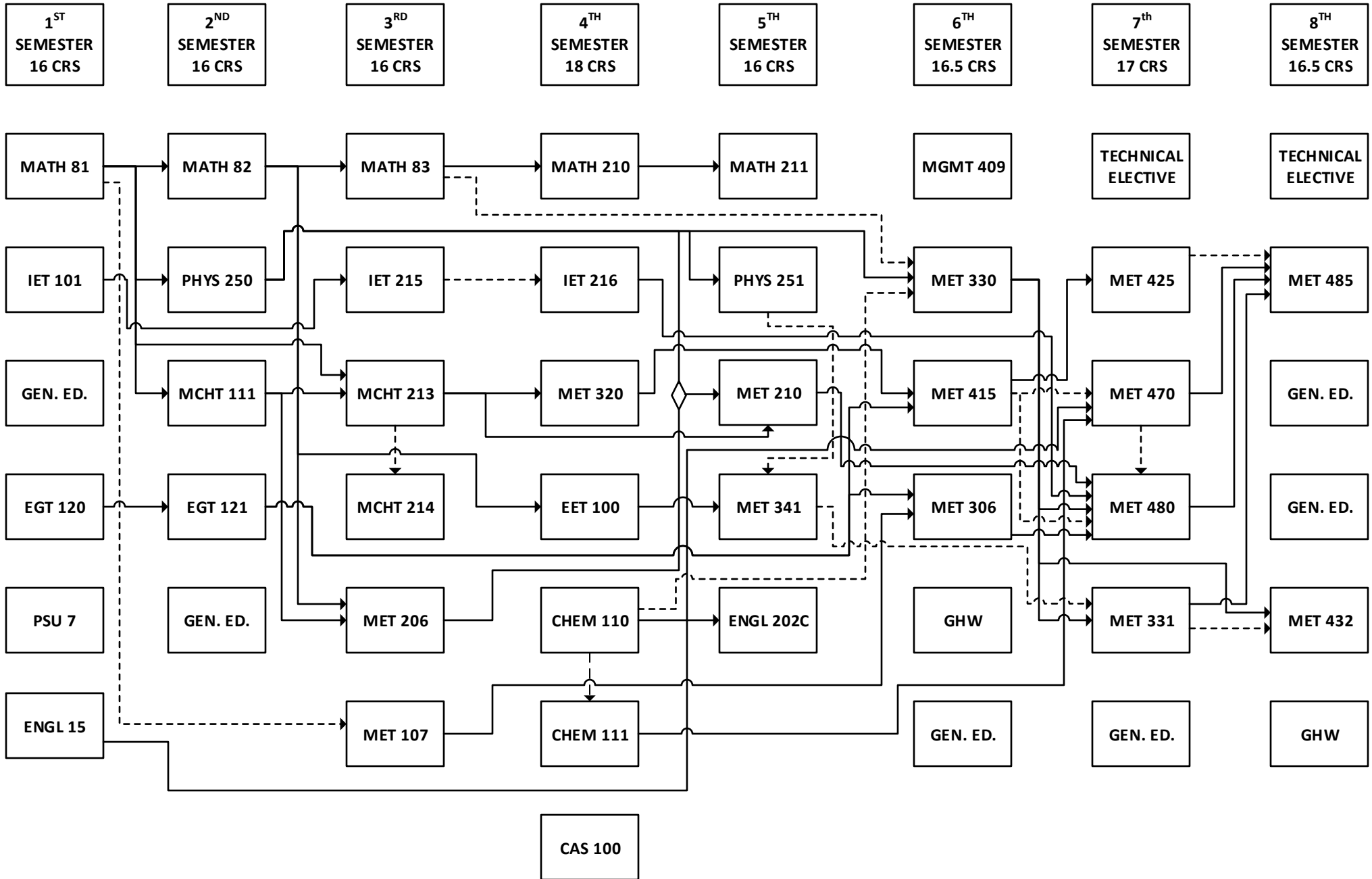


MECHANICAL ENGINEERING TECHNOLOGY (B.S)

PLAN A



The first four semesters are the same for Plan A and Plan B