

Geometry

SHOW WORK

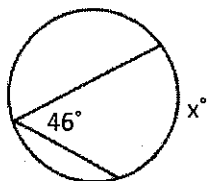
Name Key

12-3 worksheet

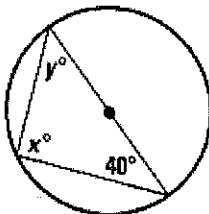
Inscribed angle = $\frac{1}{2}$ · intercepted arc

Find the value of each variable.

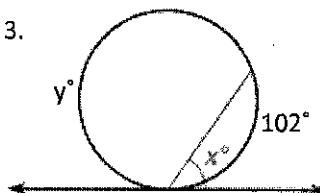
1.



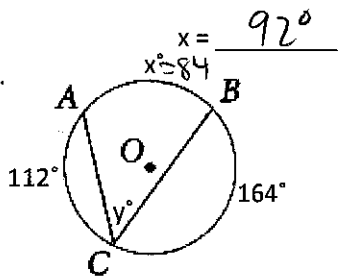
2.



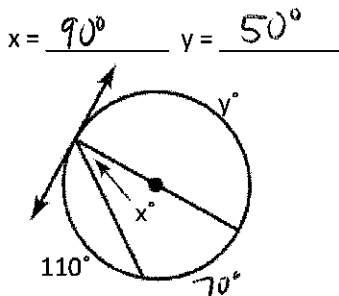
3.



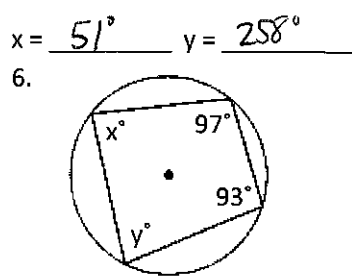
4.



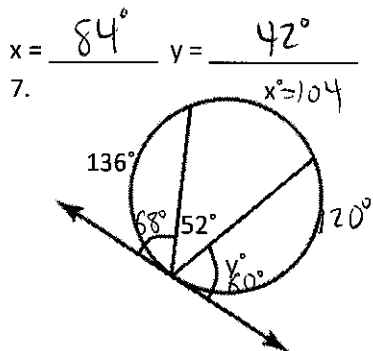
5.



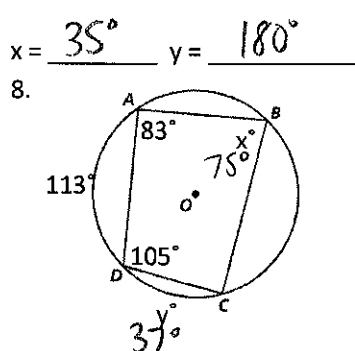
6.



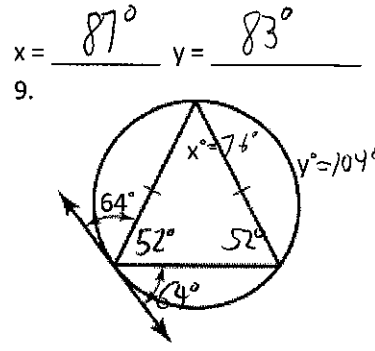
7.



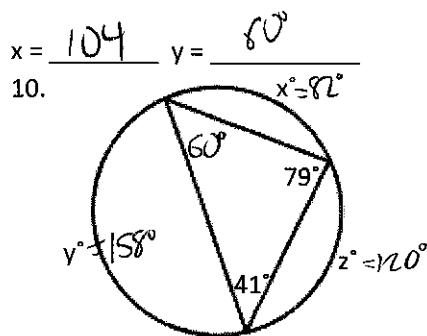
8.



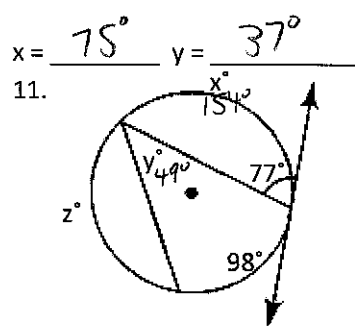
9.



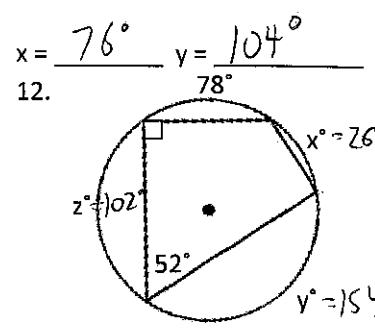
10.



11.



12.



$x = 82^\circ$ $y = 158^\circ$ $z = 120^\circ$ $x = 154^\circ$ $y = 49^\circ$ $z = 108^\circ$ $x = 26^\circ$ $y = 154^\circ$ $z = 102^\circ$