

Geometry

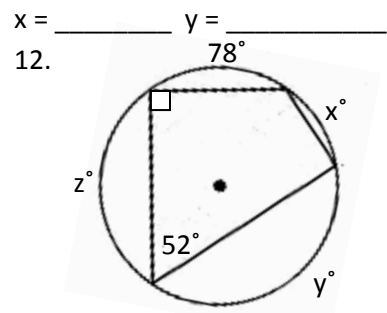
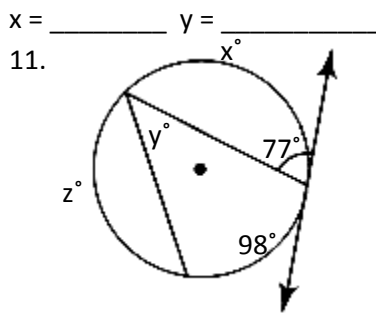
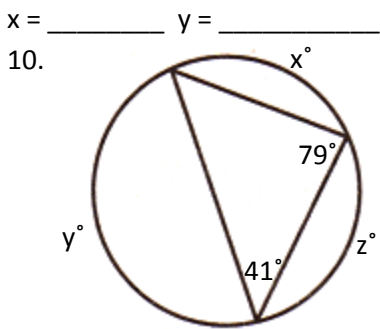
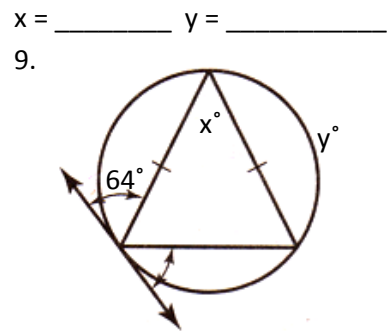
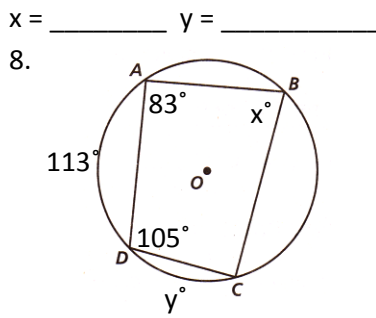
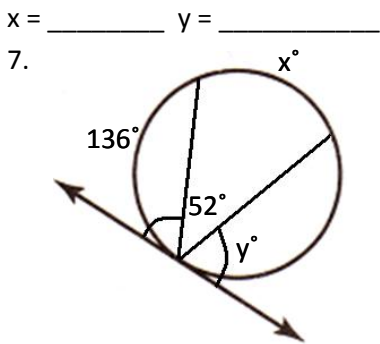
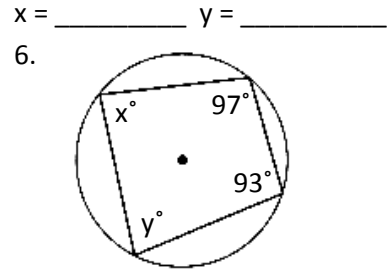
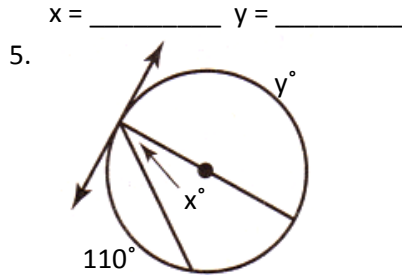
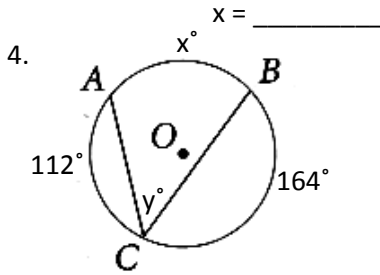
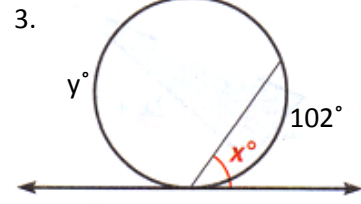
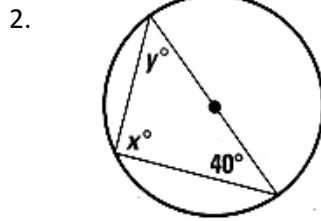
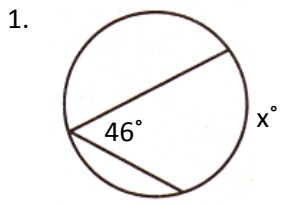
SHOW WORK

Name _____

12-3 worksheet

$$\text{Inscribed angle} = \frac{1}{2} \cdot \text{intercepted arc}$$

Find the value of each variable.



$x = \underline{\hspace{2cm}}$ $y = \underline{\hspace{2cm}}$ $z = \underline{\hspace{2cm}}$ $x = \underline{\hspace{2cm}}$ $y = \underline{\hspace{2cm}}$ $z = \underline{\hspace{2cm}}$ $x = \underline{\hspace{2cm}}$ $y = \underline{\hspace{2cm}}$ $z = \underline{\hspace{2cm}}$