

DOUBLE ELIMINATION - 8 TEAMS

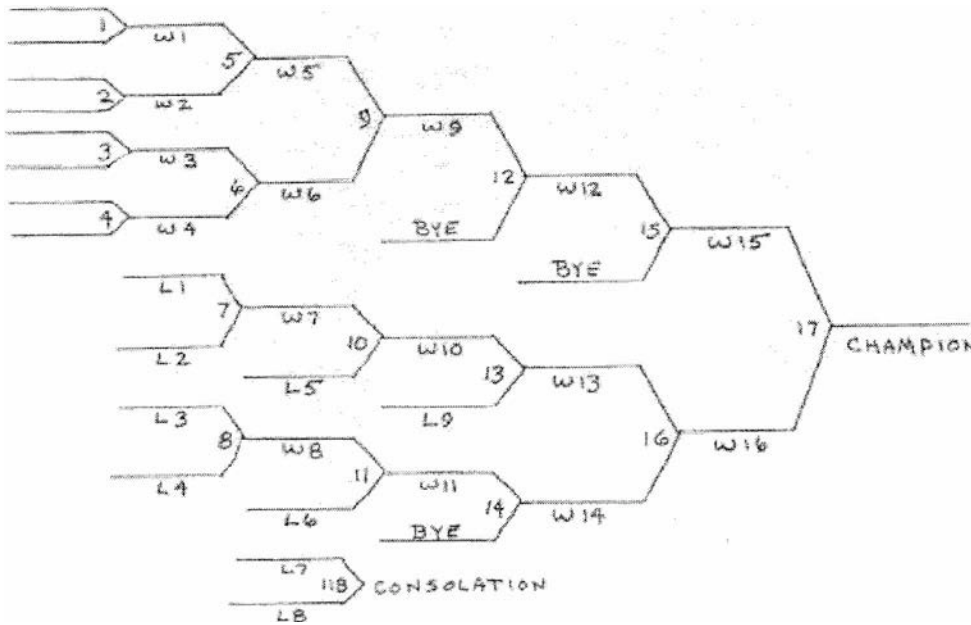
GAME SCHEDULE

	Room A	Room B
Round I	1 3	2 4
Round II	5 7	6 8
Round III	9 11	10 11 B (consolation)*
Round IV	13	
Round V	16	
Round VI	17	
Round VII (if needed)"	18	

* Consolation game so every team plays 3 matches.

**If team from bottom bracket wins, top bracket team would have only one loss. Another game must be played to give one team two losses.

Round I Round II Round III Round IV Round V Round VI

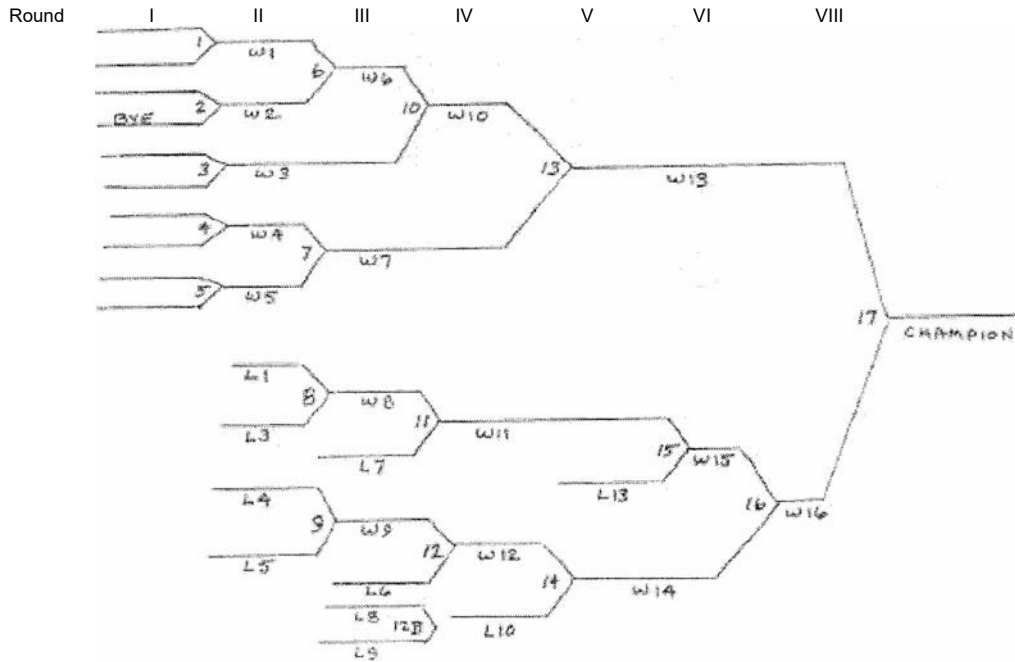


**DOUBLE ELIMINATION - 9 TEAMS
SCHEDULE**

	Room A	Room B
Round I	1 4	3 5
Round II	6 8	7 9
Round III	10 12	11 12B*
Round IV	13	14
Round V		15
Round VI	16	
Round VII	17	
Round VIII** if needed		

*Consolation game so every team plays 3 matches.

**If team from bottom bracket wins, top bracket team would have only one loss. Another game must be played to give one team two losses.



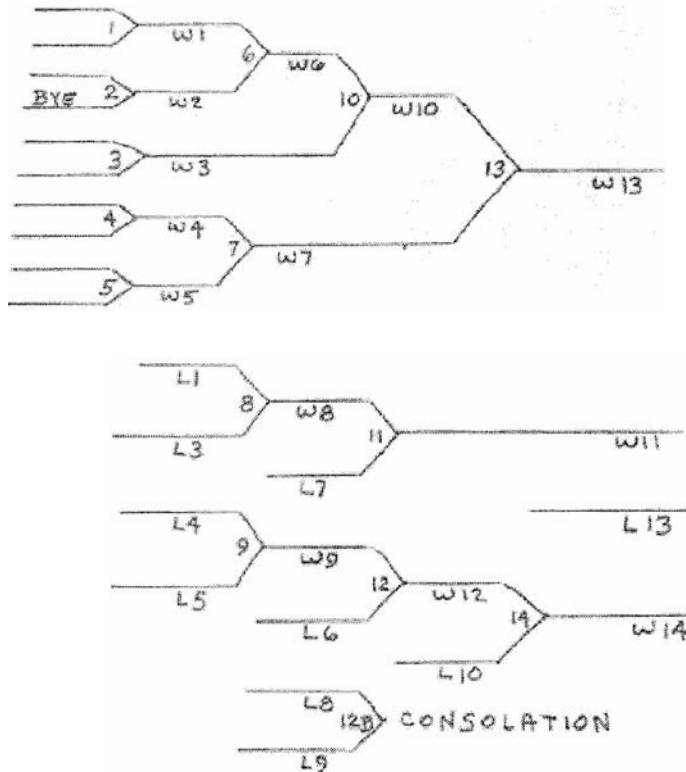
DOUBLE ELIMINATION/ROUND ROBIN - 9

TEAMS SCHEDULE

	Room A	Room B
Round I	1 4	3 5
Round II	6 8	7 9
Round III	10 12	11 12b*
Round IV	13	14
Round V	W-13 W-11	L-13 W-14
Round VI	W-13 L-13	W-14 W-11
Round VII	W-13 W-14	W-11 L-13

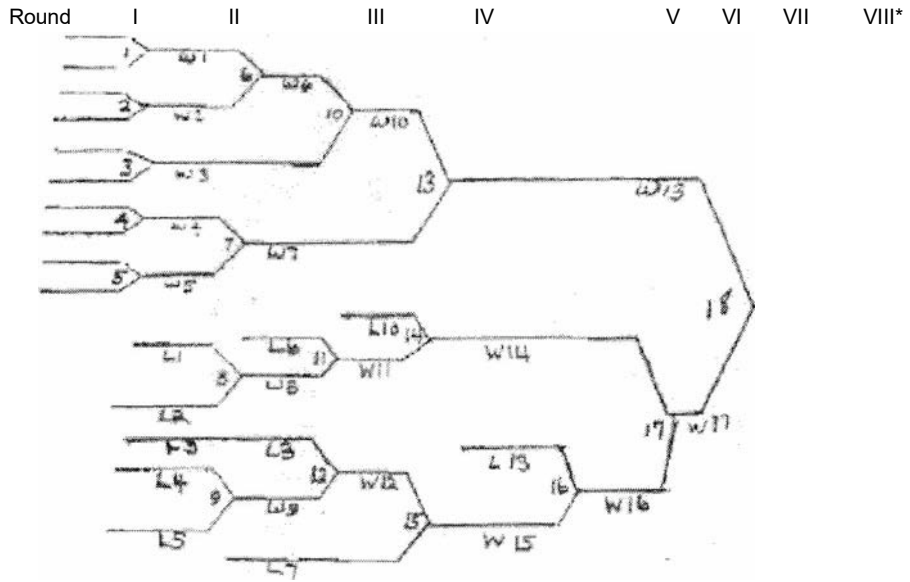
*Consolation game so every team plays three matches.

Round I II III IV **V **VI **VIII
**Round Robin Play



**DOUBLE ELIMINATION - 10 TEAMS
GAME SCHEDULE**

	Room A	Room B	Room C
Round I	1 4	2 5	3
Round II	7	8	6 9
Round III	10	11	12
Round IV	13	14	15
Round V	16	Consolation game	Consolation game
Round VI	17		
Round VII	18		



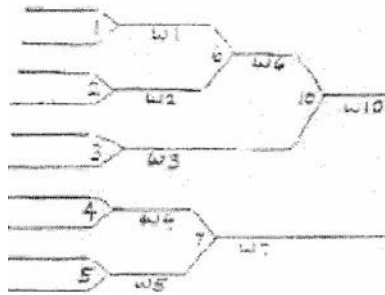
*if needed

DOUBLE ELIMINATION/ROUND ROBIN 10 TEAMS

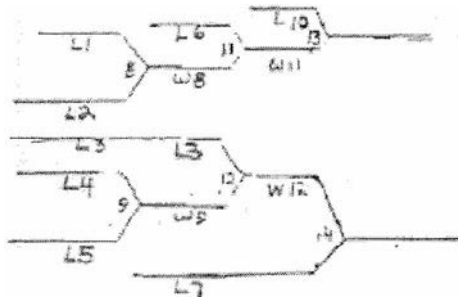
GAME SCHEDULE

	Room A	Room B	Room C
Round 1	1 4	2 5	3
Round 2	7	8	6 9
Round 3	10	11	12
Round 4		13	14
Round 5	W10 W7	W13 W14	*Consolation games as needed
Round 6*	W10 W13	W7 W14	
Round 7*	W10 W14	W13 L7	

Round I II III IV *V *VI *VII



*Round Robin Play

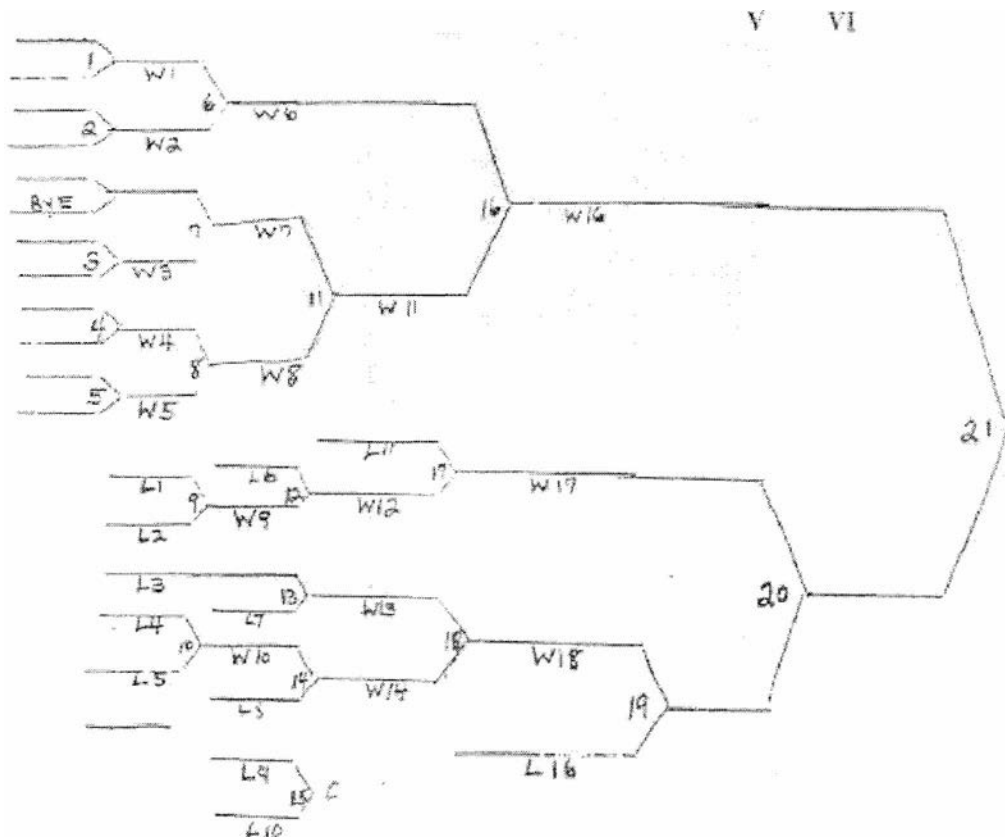


DOUBLE ELIMINATION - 11 TEAMS

GAME SCHEDULE

	Room A	Room B	Room C
Round 1	1 4	2 5	3
Round 2	7 10	8	6 9
Round 3	11 14	12 15	13
Round 4	16	17	18
Round 5	19	W13 W14	
Round 6	20	W7 W14	
Round 7 *	21	W13 L7	

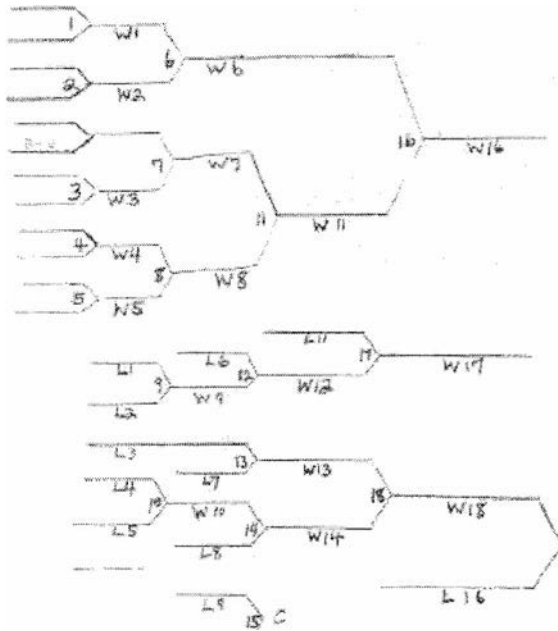
Round I II III IV V VI VII VIII *if needed



**DOUBLE ELIMINATION/ROUND ROBIN - 11 TEAMS
GAME SCHEDULE**

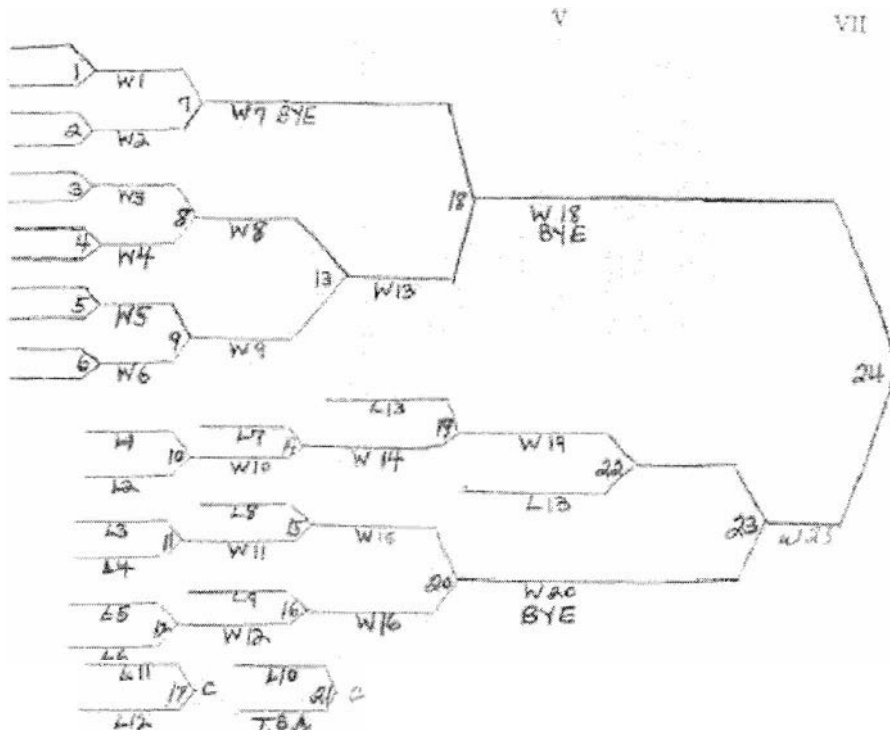
	Room A	Room B	Room C
Round I	1 4	2 5	3
Round II	7 10	8	6 9
Round III	13	11 14	12 15
Round IV	16	17	18
Round V	W16 W17	W18 W16	
Round VI	W16 W18	W17 W16	
Round VII	W16 L16	W18 W17	

Round I II III IV *V *VI *VII
 *Round Robin



DOUBLE ELIMINATION - 12 TEAMS
GAME SCHEDULE

	Room A	Room B	Room C
Round 1	1 4	2 5	3 6
Round 2	7 10	8 11	9 12
Round 3	13 16	14 17*	15
Round 4	19	20	18 21*
Round 5	22	W18	
Round 6	23	W17	
Round 7	24	W18	
Round 8	25(if needed)	*Consolation game	



Double Elimination/Round Robin – 12 Teams Schedule

	Room A	Room B	Room C
Round 1	1 4	2 5	3 6
Round 2	7 10	8 11	9 12
Round 3	13 16	14 17** Consolidation game	15
Round 4	19	20	18
Round 5	W 18 W 19	L18 W 20	
Round 6 *	W 18 L18	W 19 W 20	
Round 7*	W 18 W 20	W19 L18	

